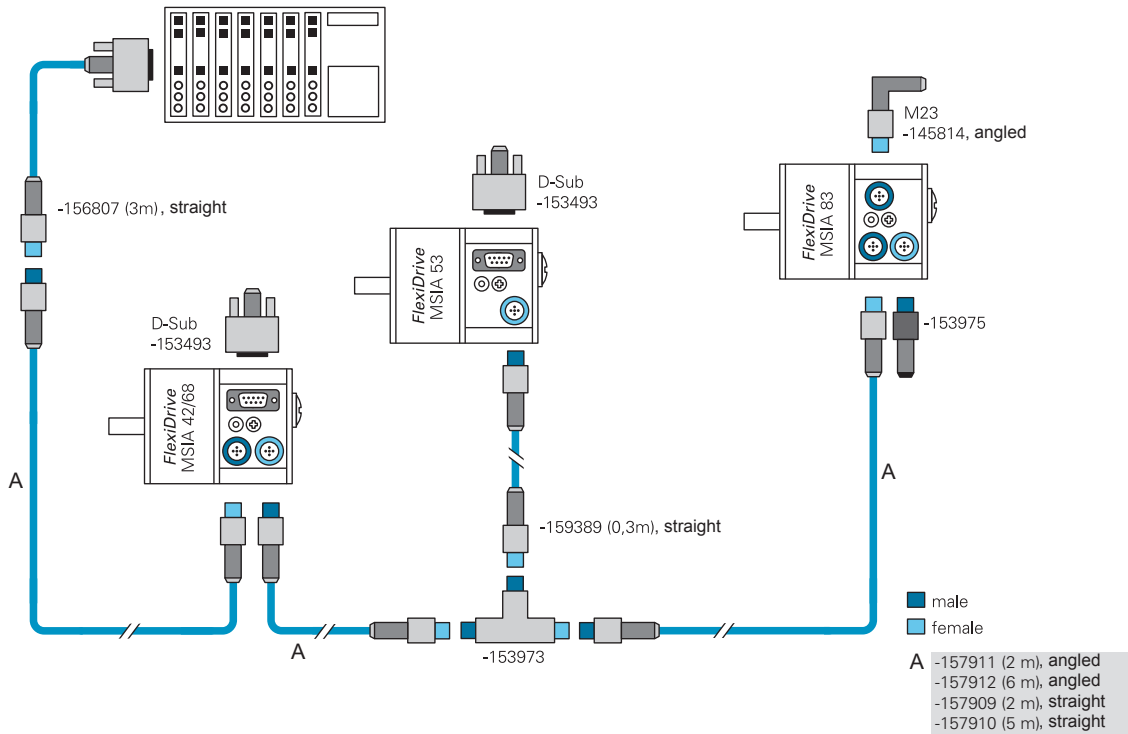


Fieldbus wiring of actuator and positioning drives

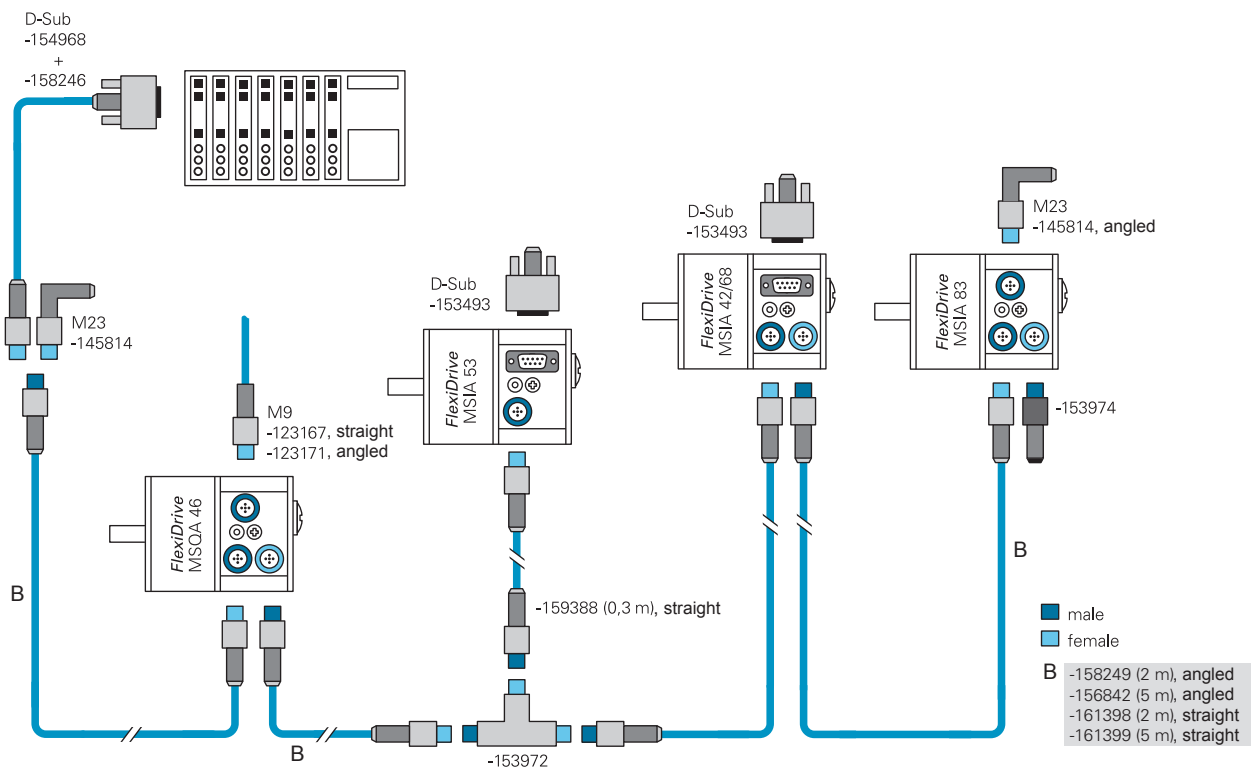
FlexiDrive

fieldbus wiring (valid only for MSIA and MSQA)

Profibus-DP, M12 B-coded



CANopen, M12 A-coded



Fieldbus accessories

Profibus-DP

Premolded Profibus cable with M12 connector male/female (B-coded)

M12 male/female angled 2 m	ESW 33A/KSW 33AP0200G/P	part nr. 10157911
M12 male/female angled 6 m	ESW 33A/KSW 33AP0600G/P	part nr. 10157912
M12 male/female straight 0,3 m (spur)	ESW 33A/KSW 33AP0030G/P	part nr. 10159389
M12 male/female straight 2 m		part nr. 10157909
M12 male/female straight 5 m		part nr. 10157910
T-connector M12 Profibus (2 male / 1 female)		part nr. 10153973
terminator M12 Profibus		part nr. 10153975
protection cap M12		part nr. 10156808
USB-to-Profibus adaptor		part nr. 10154326
adaptor cable D-Sub (male) to M12 (female) straight 3 m		part nr. 10156807
CD-ROM with GSD-/EDS-/XML-files and manuals		part nr. 10147362
connector M12 for self-fabricating of Profibus wires (B-coded)		
M12 female straight		part nr. 10153970
M12 male straight		part nr. 10153971
M12 female angled		part nr. 10156585
M12 male angled		part nr. 10156555
M16 female straight		part nr. 10161157

CANopen

Premolded CANopen cable with M12 connector male/female (A-coded)

M12 male/female angled 2 m	ESW 33A/KSW 33AP0200G/C	part nr. 10158249
M12 male/female angled 5 m	ESW 33A/KSW 33AP0500G/C	part nr. 10156842
M12 male/female straight 0,3 m (spur)	ESW 33A/KSW 33AP0030G/C	part nr. 10159388
M12 male/female straight 2 m		part nr. 10161398
M12 male/female straight 5 m		part nr. 10161399
T-connector M12 CAN (1 male / 2 female)		part nr. 10153972
terminator M12 CAN		part nr. 10153974
protection cap M12		part nr. 10156808
USB-to-CAN adaptor		part nr. 10147798
adaptor cable M12 (female) angled 2 m to open-end		part nr. 10158246
CD-ROM with GSD-/EDS-/XML-files and manuals		part nr. 10147362
connector M12 for self-fabricating of CANopen wires (A-coded)		
M12 female straight		part nr. 10153968
M12 male straight		part nr. 10153969
M12 female angled		part nr. 10145021
M12 male angled		part nr. 10156584
connector 9-pin D-Sub female angled (with terminator)		part nr. 10154968
connector 9-pin D-Sub female angled (without terminator)		part nr. 10145023
M16 female straight		part nr. 10161157

EtherCAT

Prefabricated cable EtherCAT

M12 male/male straight 5 m		part nr. 10160565
----------------------------	--	-------------------

Fieldbus accessories

Voltage supply

prefabricated cable with screened connector M9 (female) to open-end:

connector M9 straight, screened 5 m cable	ES 62CB5	part nr. 10123167
connector M9 angled, screened 5 m cable	ES 61CB5	part nr. 10123171
connector D-Sub straight, female, 5 m		part nr. 10164870

connectors for self-fabrication:

connector 5-pin M12 female angled		part nr. 10145021
connector 5-pin M9 female straight		part nr. 10123144
connector 9-pin D-Sub female straight		part nr. 10153493
connector 9-pin M23 female angled		part nr. 10145814